

## 2960 - 2962 - 2965

## LOW PROFILE (PANCAKE) LOAD CELLS

- Very high capacity load cells for use in tension and / or compression.
- Especially developed for "Fatigue" rate (capable of very large numbers of cycles)
- Low deflection
- Available in high output signal version
- Insensitiveness to extraneous forces
- Redundant dual Wheatstone Bridge available
- Protection IP 66
- A whole range of mounting accessories is proposed
- Material :
  - Stainless steel (2960)
  - Aluminium (2962)
  - Alloy steel (2965)



Model 2960 – 100 kN

The SENSY's load cells 2960-2962-2965 are perfectly designed to the following applications :

- Fatigue testing applications
- Industrial process control
- Calibration of testing machines
- Standard calibration of load cells

### AVAILABLE CAPACITIES :

**2962 : (3) - 5 - 7.5 kN**

**2960 – 2965 : 10 - (15) - 20 - (30) - 50 - (75) - 100 - 150 - 200 - 300 - 500 - (750) - 1.000 kN**  
 (Higher capacities on request up to 3000kN)

TECHNICAL DATA				
Accuracy class	%	0.25	0.1 1000 d	0.03 (2962 seult) 3000 d
Linearity error	% F.S.	< ± 0.25	< ± 0.1	< ± 0.03
Hysteresis error	% F.S.	< ± 0.25	< ± 0.1	< ± 0.03
Non - repeatability	% F.S.	< ± 0.1	< ± 0.03	< ± 0.015
Creep error over 30 min.	% F.S.	< ± 0.1	< ± 0.06	< ± 0.02
Zero shift after loading	% F.S.	< ± 0,025	< ± 0.015	< ± 0.005
Reference temperature	°C	23	23	23
Nominal temperature range	°C	- 10...+ 45	- 10...+ 45	- 10...+ 45
Service temperature range	°C	- 30...+ 70	- 30...+ 70	- 30...+ 70
Storage temperature range	°C	- 50...+ 85	- 50...+ 85	- 50...+ 85
Temperature coefficient of the sensitivity	% /10°C	< ± 0.05	< ± 0.05	< ± 0.02
Temperature coefficient of zero signal	% F.S./10°C	< ± 0.035	< ± 0.035	< ± 0.013
Nominal sensitivity	mV/V	2	2	2
Zero balance	mV/V	± 0.02	± 0.02	± 0.02
Sensitivity tolerance (g=9,8107 m/s <sup>2</sup> )	%	< ± 0.3	< ± 0.3	< ± 0.1
Input / Output resistance	Ohm	702 ± 20	700 ± 2	700 ± 2
Insulation resistance (50V)	MOhm	> 5000	> 5000	> 5000
Nominal excitation voltage	V	5 to 10	5 to 10	5 to 10
Nominal range of the excitation voltage	V	2...15	2...15	2...15
Safe load limit	% F.S.	150	150	150
Breaking load	% F.S.	> 300	> 300	> 300
Static lateral force limit	% F.S.	50	50	50
Permissible dynamic loading	% F.S.	50	50	50

F.S.: full scale Specifications subject to change without notice

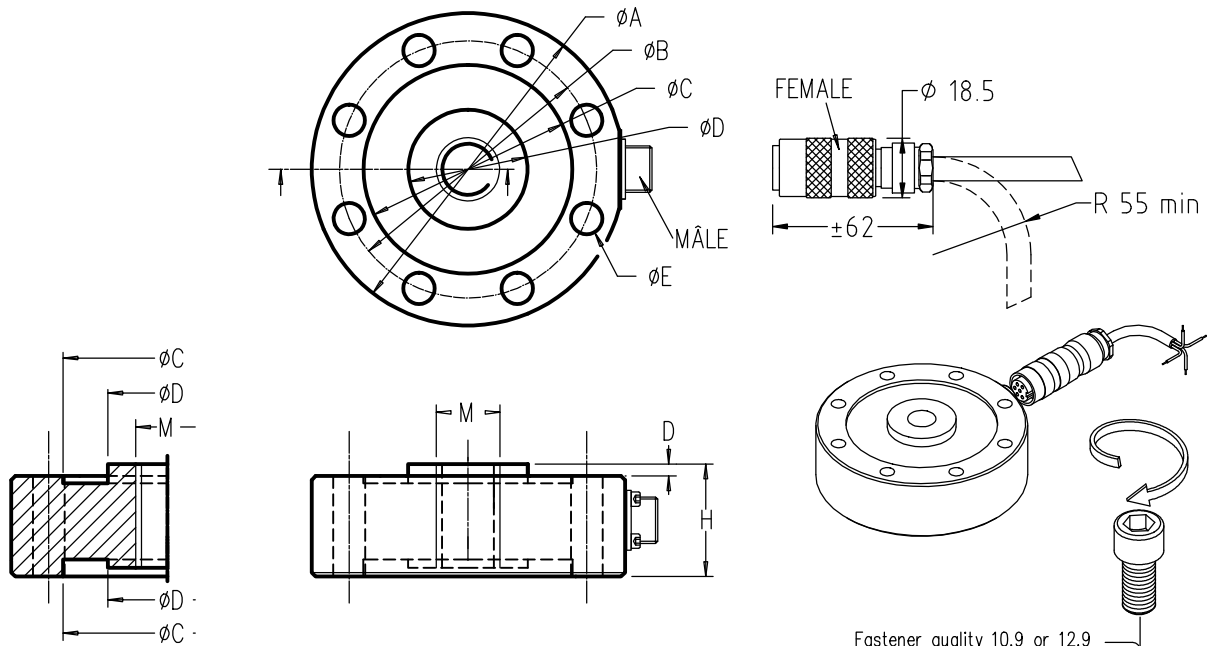
## LOAD CELLS

model 2960 stainless steel  
 model 2962 aluminium  
 model 2965 alloy steel

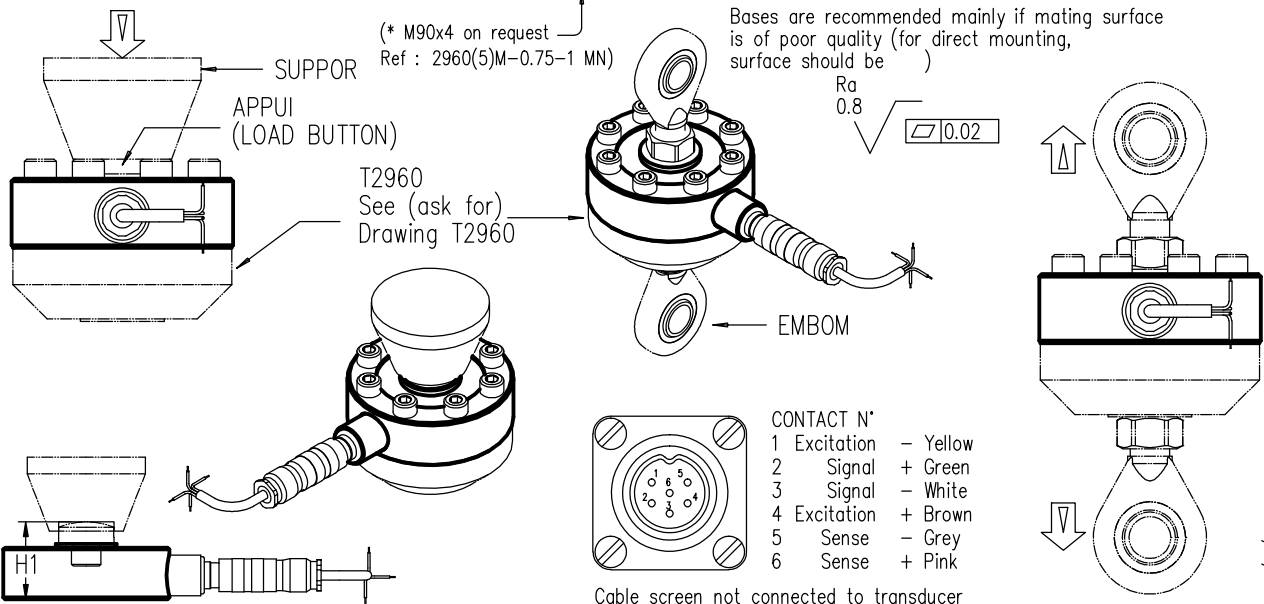
### TENSION-COMPRESSION

Range 3 kN - 1 MN IP66  
 (0.3 - 100 t.)

Cable length : see table (CL)



MODEL	CAPACITIES	$\phi A$	$\phi B$	$\phi C$	$\phi D$	$\phi E$	M	H	D	CL(m)	H1	Weight	Max.Deflexion	Torque (N.m)
2962	3 - 7.5 kN	89	72	59	33	8x $\phi 8.2$	M16	28	2	3	40	0.3kg.	0.05 mm	15 (M8)
	M20x1.5						0.9kg.					0.04 mm	40 (M8)	
2960 2965	75 - 100 kN	149	125	106	46	8x $\phi 12.5$	M30x2	38.5	2	6	53.5	3.5kg.	0.05 mm	130 (M12)
	150 - 200 kN	178	145	115	69	8x $\phi 16.5$	M36x3	50			70	7 kg.	0.06 mm	320 (M16)
	300 - 500 kN	198	172	140	90	16x $\phi 16.5$	M60x4	65	3	12	92	12kg	0.07 mm	320 (M16)
	0.75 - 1 MN	279	229	180	120	16x $\phi 24.5$	M64x4*	70			97	28kg	0.08 mm	1000 (M24)



Rev.2/3/2009