

5000B

LOAD MEASURING WEDGE SOCKET

- Double shear beam load cells
- Sturdy design
- Stainless steel
- Easy to install
- Waterproof IP 65 (IP 67 available)
- A complete range of electronics load limiters and displays are also offered "CE" certified
- Available in Eex ia IIC T4/T6 certified version for use in hazardous area
- Available with integrated amplifier 4-20 mA or 1-5 VDC



Model 5000B

The SENSY's load pin 5000B is perfectly designed to the following applications :

- Hoisting and crane's security in combination with a load limiter

AVAILABLE CAPACITIES :

5000B : From 0.3 to 20 tons (for cables diameter of 9 to 32 mm)

TECHNICAL DATA		
Accuracy class		SL
Combined error	% F.S.	1
Non - repeatability	% F.S.	< ± 0.25
Creep error over 30 min.	% F.S.	< ± 0.2
Zero shift after loading	% F.S.	< ± 0,05
Reference temperature	°C	23
Nominal temperature range	°C	- 10...+ 45
Service temperature range	°C	- 30...+ 70
Storage temperature range	°C	- 50...+ 85
Temperature coefficient of the sensitivity	% /10°C	< ± 0.1
Temperature coefficient of zero signal	% F.S./10°C	< ± 0.1
Nominal sensitivity	mV/V	± 1
Zero balance	mV/V	± 0.02
Sensitivity tolerance (g=9,8107 m/s ²)	%	< ± 0.5
Input / Output resistance	Ohm	350 ± 20
Insulation resistance (50V)	MOhm	> 5000
Nominal excitation voltage	V	5 to 10
Nominal excitation voltage	V	2...15
Safe load limit	% F.S.	200
Breaking load	% F.S.	> 200...500
Static lateral force limit	% F.S.	> 300
Permissible dynamic loading	% F.S.	70

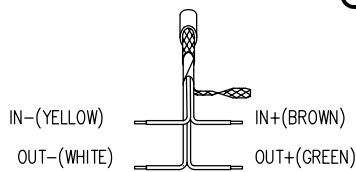
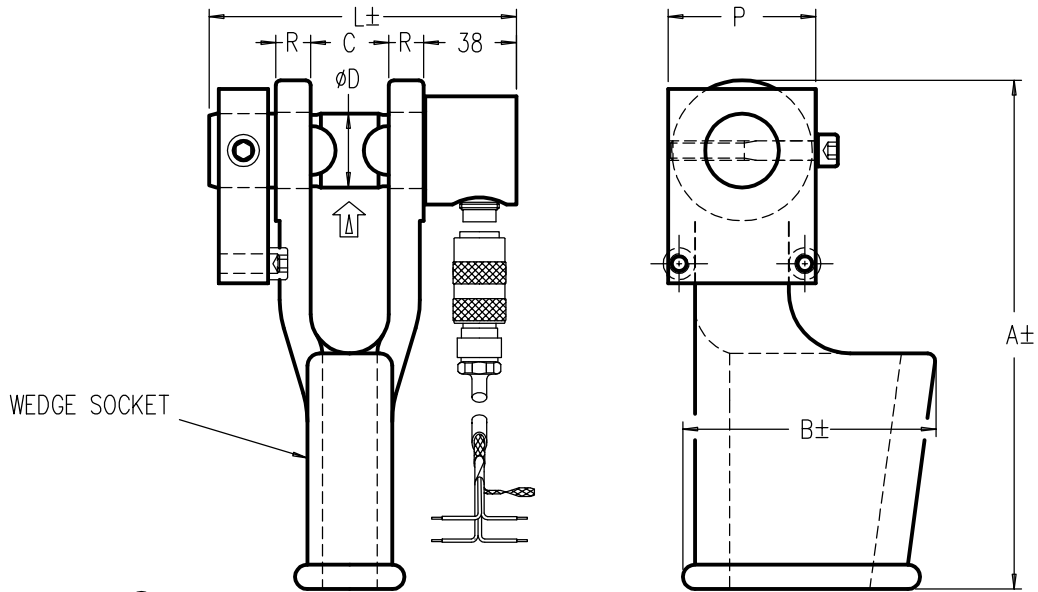
F.S.: full scale Specifications subject to change without notice

LOAD CELL

CE
(Hoisting)

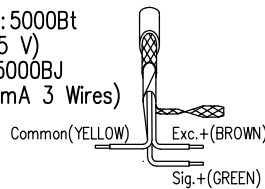
model 5000B axle in stainless steel
LOAD MEASURING WEDGE SOCKET

Range : 0.3 - 20t. $\pm 1\text{mV/V}$ IP65
Cable length : 6 m

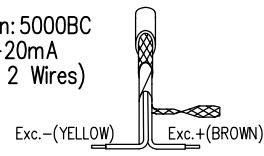


Standard cable
4x0.34 mm/2

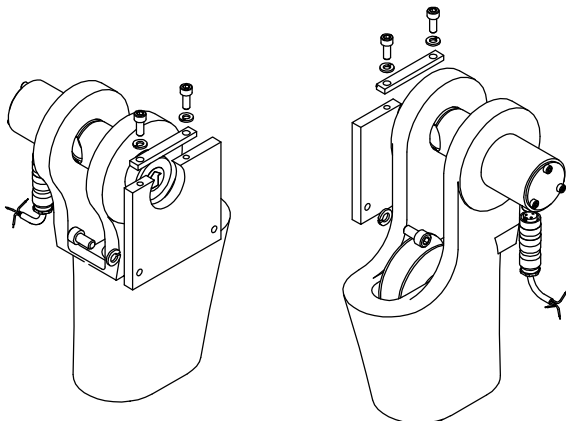
Option: 5000Bt
(1-5 V)
or 5000BJ
(4-20mA 3 Wires)



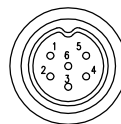
Option: 5000BC
(4.5-20mA
2 Wires)



SIZE (ϕ of cable)		CAPACITIES	A \pm	B	C	ϕD h9	L \pm	R
3/8"	9-10 mm	0.3-2 t.	143	65	20.6	20	108	11.2
1/2"	11-13 mm	0.5-3 t.	173	87.5	25.5	25	118	12.7
5/8"	14-16 mm	0.75-5 t.	207	103	31.8	30	125	14.2
3/4"	18-19 mm	1-6 t.	248	122	38.1	35	139	16.8
7/8"	20-22 mm	1.5-8 t.	283	139	44.5	41.4	143	19.1
1"	24-26 mm	4-12.5 t.	324	155	50.8	50	160	22.3
1 1/8"	28 mm	5-16 t.	365	171	57.2	57	172	25.4
1 1/4"	30-32 mm	8-20 t.	406	187	63.5	63.5	185	28.7



FEMALE-MALE CONNECTOR DIN 45322



CONTACT N°

1	Excitation	- Yellow	} Standard cable
2	Output	+ Green	
3	Output	- White	
4	Excitation	+ Brown	
5	Sense	- Grey	
6	Sense	+ Pink	

Cable screen not connected to transducer
Option f : Cable screen connected to transducer
(6 wires cable in option)

Cable screen connected to transducer for option t,C,J

Rev.18/07/2006