

5000

CUSTOM MADE LOAD PIN

- Double shear beam axle
- Sturdy design
- Stainless steel
- Easy to install
- Protection IP 65 (IP 67 available)
- Available in "custom-made" design
- A complete range of electronics, load limiters and displays are also offered "CE" certified
- "EEx" ia II C T4/T6 version available
- Available up to 1.000 tons
- Available with integrated amplifier 4-20 mA or 1-5VDC



Model 5000 – 3 t

The SENSY's load pin 5000 is perfectly designed to the following applications :

- Cranes pulley equipment
- Hoisting and crane's security in combination with a load limiter
- Equipment of shackles, wedge sockets and hydraulic jacks...
- Force measurement on cylinders and others applications

AVAILABLE CAPACITIES :

5000 : From 1 ton to 1000 tons (Higher capacities on request)

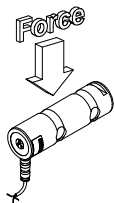
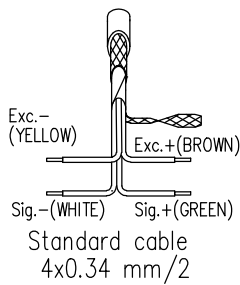
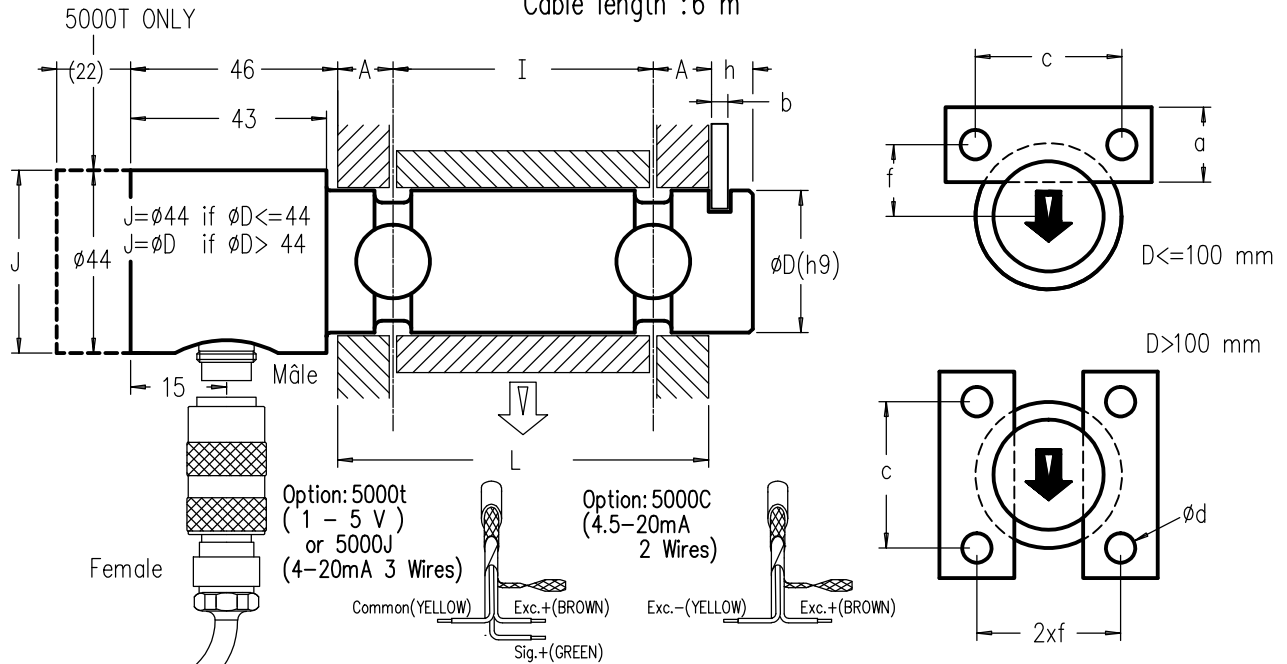
TECHNICAL DATA		
Accuracy class		SL
Combined error	% F.S.	1
Non - repeatability	% F.S.	< ± 0.25
Creep error over 30 min.	% F.S.	< ± 0.2
Zero shift after loading	% F.S.	< ± 0,05
Reference temperature	°C	23
Nominal temperature range	°C	- 10...+ 45
Service temperature range	°C	- 30...+ 70
Storage temperature range	°C	- 50...+ 85
Temperature coefficient of the sensitivity	% /10°C	< ± 0.1
Temperature coefficient of zero signal	% F.S./10°C	< ± 0.1
Nominal sensitivity	mV/V	± 1
Zero balance	mV/V	± 0.02
Sensitivity tolerance (g=9,8107 m/s ²)	%	< ± 0.5
Input / Output resistance	Ohm	350 ± 20
Insulation resistance (50V)	MOhm	> 5000
Nominal excitation voltage	V	5 to 10
Nominal excitation voltage	V	2...15
Safe load limit	% F.S.	200
Breaking load	% F.S.	> 200...500
Static lateral force limit	% F.S.	> 300
Permissible dynamic loading	% F.S.	70

F.S.: full scale Specifications subject to change without notice

LOAD CELLS

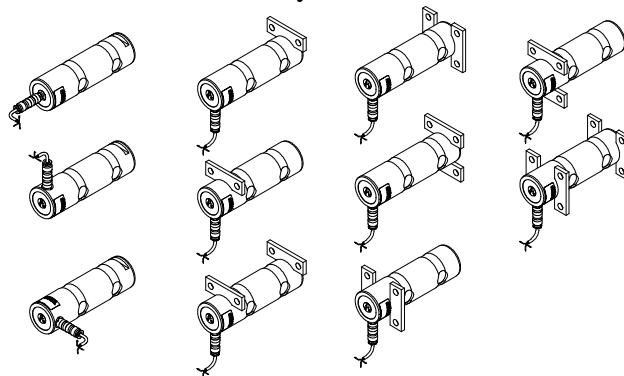
model 5000 stainless steel
 Range 1-1000 t. IP65 (IP67 or IP68 option)
DOUBLE SHEAR BEAM AXLE

Cable length : 6 m

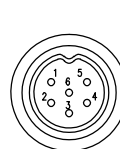


REFERENCE DIMENSIONS										DIMENSIONS STANDARD	
CAP.(t)	øD(h9)	A(min)	I(min)	a	b	c	ød	f	h	øD RANGE	a,b,c,ød,f,h
0.5	20	7...10	20	25	6	50	11	18	12	18 - 25	Depending directly on the diameter according to DIN 15058
1.5	30	12	25					22		20 - 35	
2	32		30					23		24 - 40	
3	36		30					24		28 - 45	
4	40		30					26		32 - 50	
6.3	44	14	35	30	8	70	13	30.5	16	38 - 55	Complete list with the different parameters available on request
8	49		40					32.5		45 - 60	
10	54		40					35		50 - 65	
16	59		40					36		55 - 79	
20	64	15	50	37.5	60 - 88						
30	70	18	60	40	10	100	17	45	20	65 - 99	
40	88		70					52		76 - 105	
6.3	98		70					56		90 - 130	
80	108	20	80	50	12	140	21	60	25	100-140	
100	120		80					70		118-150	
125	128		90					72.5		120-160	
140 - 1000 t				to customer design specifications						129-170	

Some configurations



FEMALE-MALE CONNECTOR DIN 45322



- CONTACT N°
- 1 Excitation - Yellow
 - 2 Signal + Green
 - 3 Signal - White
 - 4 Excitation + Brown
 - 5 Sense - Grey
 - 6 Sense + Pink
- } Standard cable

Cable screen not connected to transducer
 Option f : Cable screen connected to transducer
 (6 wires cable in option)

Cable screen connected to transducer for option t,C,J