

5190-5195

## TROUGH HOLE (ANNULAR) HEAVY CAPACITY LOAD CELLS

- Low profile for high capacity load cells
- Protection IP 65 to IP 67
- Very competitive prices
- Stainless steel
- Easy to install
- High resistance against shocks
- Whole range of mounting kits available
- Available in EEx ia IIC T4 / T6 certified version for use in hazardous area
- Execution in high temperature version available
- Material :
  - Stainless steel (5190)
  - Alloy steel (5195)



Model 5195 – 3 MN – F

The SENSY's load cells 5190-5195 are perfectly designed to the following applications :

- Industrial force applications where space is limited
- Weighing on cranes
- Pre-stressed rods measurement (snow, concrete, grounds, rocks....)
- Pre-stress in tension cable for civil engineering and construction
- For oil well pump-off units

### AVAILABLE CAPACITIES :

5190 - 5195 : 200 - 300 - 500 kN / (0.75) - 1 - 1.5 - 2 - 3 - 5 MN

TECHNICAL DATA		
Accuracy class		SL
Linearity error	% F.S.	< ± 0.5
Hysteresis error	% F.S.	< ± 0.5
Non - repeatability	% F.S.	< ± 0.25
Creep error over 30 min.	% F.S.	< ± 0.2
Zero shift after loading	% F.S.	< ± 0,05
Reference temperature	°C	23
Nominal temperature range	°C	- 10...+ 45
Service temperature range	°C	- 30...+ 70
Storage temperature range	°C	- 50...+ 85
Temperature coefficient of the sensitivity	% /10°C	< ± 0.1
Temperature coefficient of zero signal	% F.S./10°C	< ± 0.1
Nominal sensitivity	mV/V	1,5
Zero balance	mV/V	± 0.02
Sensitivity tolerance (g=9,8107 m/s <sup>2</sup> )	%	< ± 0.5
Input / Output resistance	Ohm	700 ± 5
Insulation resistance (50V)	MOhm	> 5000
Nominal excitation voltage	V	5 to 10
Nominal range of the excitation voltage	V	2...15
Safe load limit	% F.S.	200
Breaking load	% F.S.	> 300...500
Static lateral force limit	% F.S.	> 100
Permissible dynamic loading	% F.S.	70

F.S.: full scale Specifications subject to change without notice

## LOAD CELL

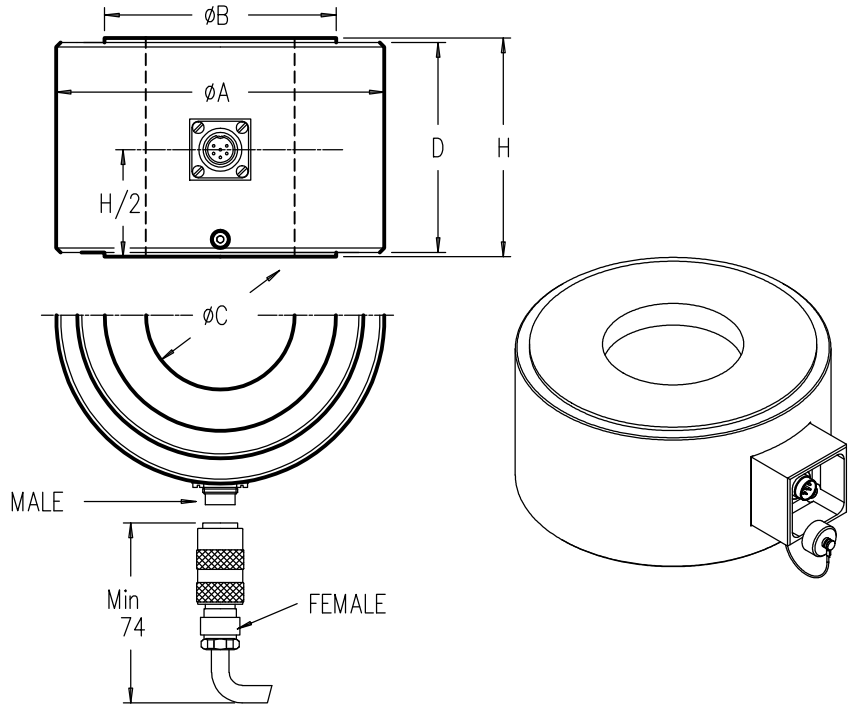


model 5190 stainless steel  
model 5195 alloy steel



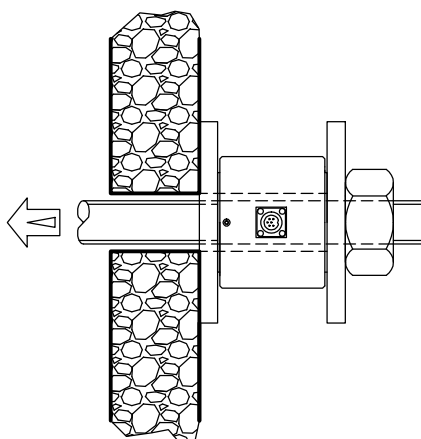
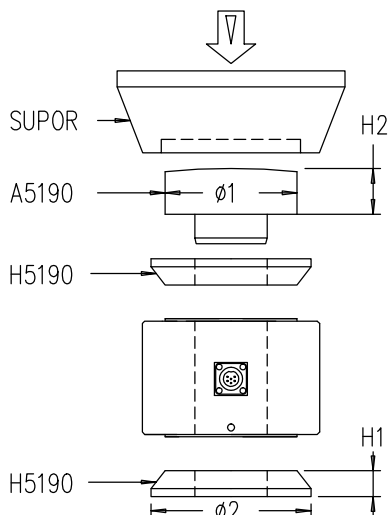
### COMPRESSION WASHER

Range 200 kN– 20 MN IP65 Cable length :See table (CL)  
( 20 – 2000 t.)

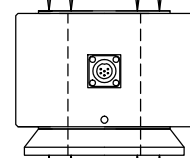


MODEL	CAPACITIES	$\phi A_{0}^{+0.1}$	$\phi B$	$\phi C$	D	H	H1	H2	$\phi 1$	$\phi 2$	Max.Deflexion	CL
5190-5195	200-300 kN	60	49	20	56	70	22	30	45	57	0.08 mm	3 m
	500 kN	80	59	30	66	90	28	40	56	66	0.1 mm	
	0.75-1 MN	110	89	50	81	100	40	50	90	97	0.12 mm	6 m
	1.5-2 MN	150	120	64	96	140	50	60	125	129	0.15 mm	
	3 MN	180	155	80	124	160	65	75	165	172	0.17 mm	
	5 MN	230	200	105	150	190	75	90	200	225	0.2 mm	
5195	10 MN	290	150	/	260	60	130	300	387	0.3 mm	20 m	
	15 MN	340	165	/	290	80	150	350	480	0.34 mm		
	20 MN	390	200	/	330	110	175	395	545	0.38 mm		

Other dimensions  $\phi A, \phi B$  and H on request

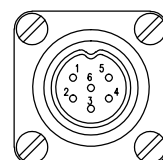


Pressure  $\leq$  or = 30 kg/mm/2



Pressure  $\leq$  or = 20 kg/mm/2

FEMALE-MALE CONNECTOR DIN 45322



- CONTACT N°
- 1 Excitation - Yellow
  - 2 Signal + Green
  - 3 Signal - White
  - 4 Excitation + Brown
  - 5 Sense - Grey
  - 6 Sense + Pink

Standard : Cable screen not connected to transducer  
Option f : Cable screen connected to transducer

Rev.24/09/2007