

**5300**

**STANDARD LOAD PIN**

- Double shear beam axle
- Sturdy design
- Stainless steel
- Easy to install
- Protection IP 65 (IP 67 available)
- A complete range of electronics, load limiters and displays are also offered "CE" certified
- "EEx" ia II C T4/T6 version available (ATEX certified)
- Range of capacities 0,5 - 100 t
- Available with integrated amplifier 4-20mA or 1-5 VDC (or others)



Model 5300 – 500 kg

The SENSY's load pin 5300 is perfectly designed to the following applications :

- Cranes pulley equipment
- Hoisting and crane's security in combination with a load limiter (BRIDGEBOY, CRANEBOY, ...)
- Equipment of shackles and hydraulic jacks...
- Force measurement on cylinders and others applications

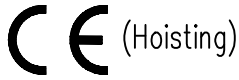
**AVAILABLE CAPACITIES :**

**5300 : 0.5 - 1 - 2 - 3 - 5 - 10 - 20 - 30 - 50 - 75 - 100 tons**

TECHNICAL DATA		
Accuracy class		SL
Combined error	% F.S.	1
Non - repeatability	% F.S.	< ± 0.25
Creep error over 30 min.	% F.S.	< ± 0.2
Zero shift after loading	% F.S.	< ± 0,05
Reference temperature	°C	23
Nominal temperature range	°C	- 10...+ 45
Service temperature range	°C	- 30...+ 70
Storage temperature range	°C	- 50...+ 85
Temperature coefficient of the sensitivity	% /10°C	< ± 0.1
Temperature coefficient of zero signal	% F.S./10°C	< ± 0.1
Nominal sensitivity	mV/V	± 1
Zero balance	mV/V	± 0.02
Sensitivity tolerance (g=9,8107 m/s <sup>2</sup> )	%	< ± 0.5
Input / Output resistance	Ohm	350 ± 20
Insulation resistance (50V)	MOhm	> 5000
Nominal excitation voltage	V	5 to 10
Nominal excitation voltage	V	2...15
Safe load limit	% F.S.	200
Breaking load	% F.S.	> 500
Static lateral force limit	% F.S.	> 300
Permissible dynamic loading	% F.S.	70

F.S.: full scale Specifications subject to change without notice

# LOAD CELL

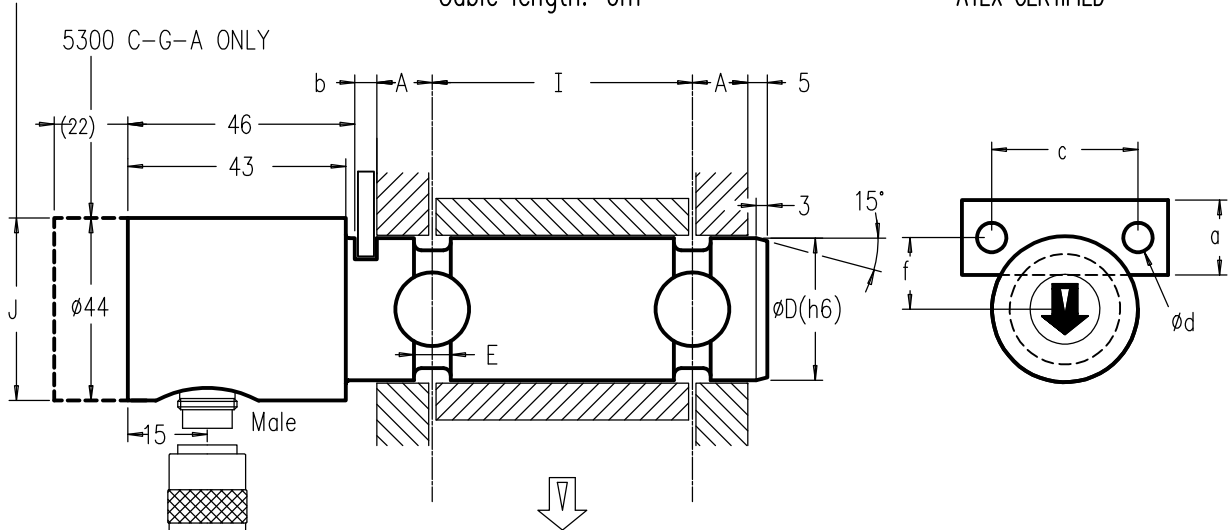


J=∅44 if ∅D≤44  
J=∅D if ∅D>44

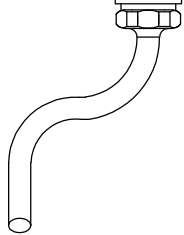
**model 5300** stainless steel  
Range 0.5–100t IP65  
**DOUBLE SHEAR BEAM AXLE**  
Cable length: 6m



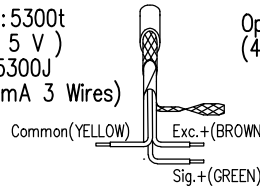
ATEX CERTIFIED



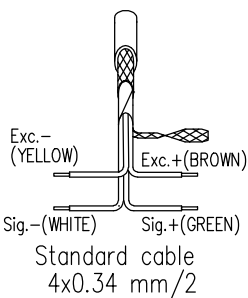
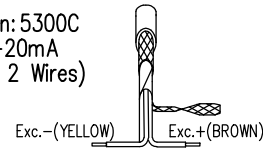
Female

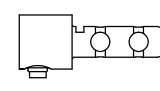
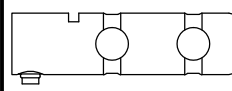


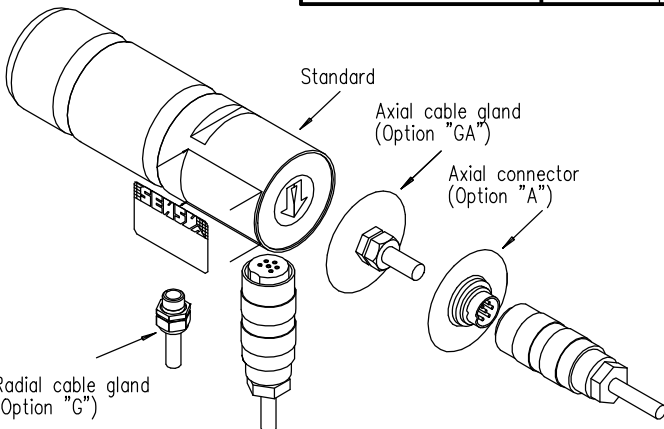
Option: 5300t  
(1 – 5 V)  
or 5300J  
(4–20mA 3 Wires)



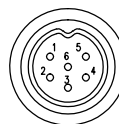
Option: 5300C  
(4.5–20mA  
2 Wires)



STANDARD DESIGN	CAP.(t.)	∅D	A	E	I	a	b	c	∅d	f
	0.5	25	13.5	8	31	25	6.5	50	11	20.5
	1									
	2									
	3									
	5	35	18	10	47	30	8.5	70	13	24
	10									33
	20									38
	30									47
	50									50.5
	75 –100									56



## FEMALE-MALE CONNECTOR DIN 45322



- CONTACT N°
- 1 Excitation – Yellow
  - 2 Signal + Green
  - 3 Signal – White
  - 4 Excitation + Brown
  - 5 Sense – Grey
  - 6 Sense + Pink
- } Standard cable

Cable screen not connected to transducer  
Option f : Cable screen connected to transducer  
(6 wires cable in option)

Cable screen connected to transducer for option t,C,J

Rev.27/9/2006