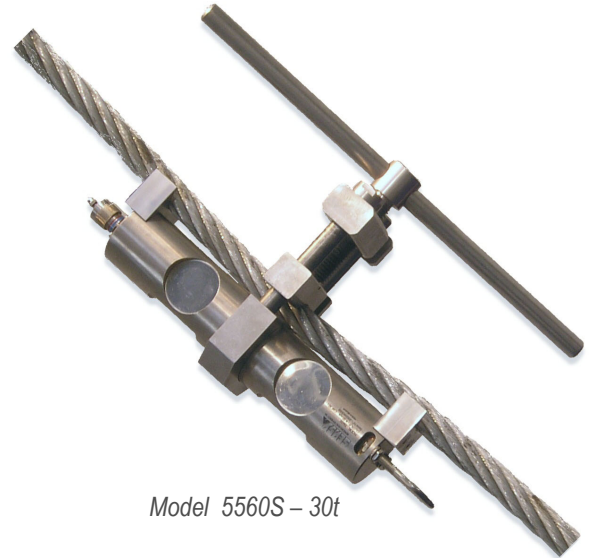


# 5560S-5565S

# TENSIONMETER

- Easy mounting on the cable on which tension force needs to be determined
- Can be placed on fixed up cable
- Protection : IP 65 (IP 67 optionnal)
- Available with integrated amplification 4-20mA, 1-5 V or 0,1 –10 V
- Complete range of electronics, load limitation devices and displays “CE” certified
- EEx ia IIC T4 / T6 Version for use in hazardous area
- Usable on a broad range of cables (from 22 to 50,8 mm diameter)
- Weight 10kg ; Very easy and fast to install
- Material :
  - Stainless steel type 17/4 PH (5560S)
  - Nickelled alloy steel (5565S)



The SENSY’s load cells 5560S-5565S are perfectly designed for the following applications:

- Tension measurement of cable and electrical pylon stays, transmission antenna's, cables in use in oil extraction, ...
- Tension measurement for suspended bridges and foot-bridges, big tops...
- Security of hoisting devices and cranes in combination with load limitation devices (CRANEBOY, BRIDGEBOY, ...)

**AVAILABLE CAPACITIES:**  
**5560S – 5565S : 15 to 30 tons on cable**

TECHNICAL DATA					
		EEx ia IIB T4/T6 ISSeP P03ATEX067X	Option C EEx ia IIB T6 ISSeP P03ATEX067X	Option J	Option t
Type		Resistive	4-20 mA 2 wires	4-20 mA 3 wires	1-5 V 3 wires
Capacity		300kN (30t) line tension of cable			
Maximum loading authorized without deterioration		600kN (60t) line tension of cable			
Breaking load		900kN (90t) line tension of cable			
Combined error (linearity/repeatability/hysteresis)		< 5% based on best straight line fit			
Nominal temperature range		From - 10° to + 45° C			
Service temperature range		From - 30° to + 80° C			
Storage temperature range		From - 50° to + 85° C			
Excitation supply (VDC)		5...10...12	15 - 28 not controlled	10 - 30 not controlled	10 - 30 not controlled
Impedance of the bridge (strain gauges)		350 Ω ±30 (1000 if Eex T6)	5000 Ω	350 Ω	350 Ω
Load impedance		NA	0,1 – 1 kΩ	0,1...0.3 kΩ	> 10 kΩ
Nominal signal range	Min.	0 - 0,5 mV/V	9 mA	4 - 9 mA	1-5 V
	Max.	0 - 1,7 mV/V	22 mA	4 - 22 mA	0.2-5.6 V
Maximum signal		> 2 mV/V	> 24 mA	> 24 mA	> 5.6 V
Normal drift (zero)	%/°C	< 0,01	< 0,03	< 0,03	< 0,03
Normal drift (span)	%/°C	< 0,01	< 0,025	< 0,025	< 0,025

F.S.: full scale Specifications subject to change without notice

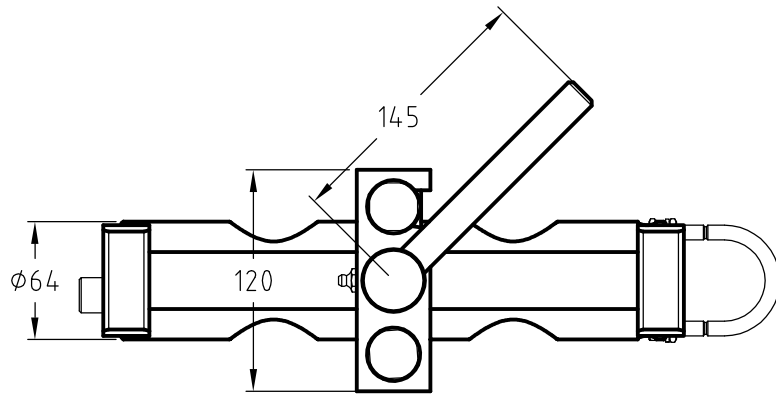
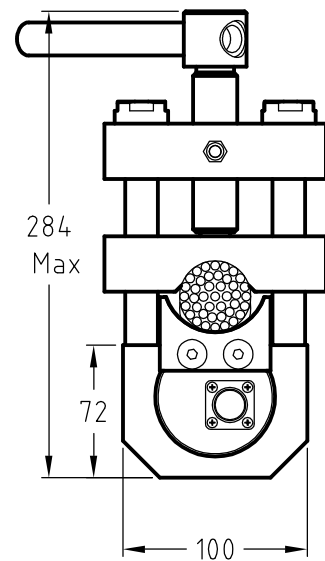
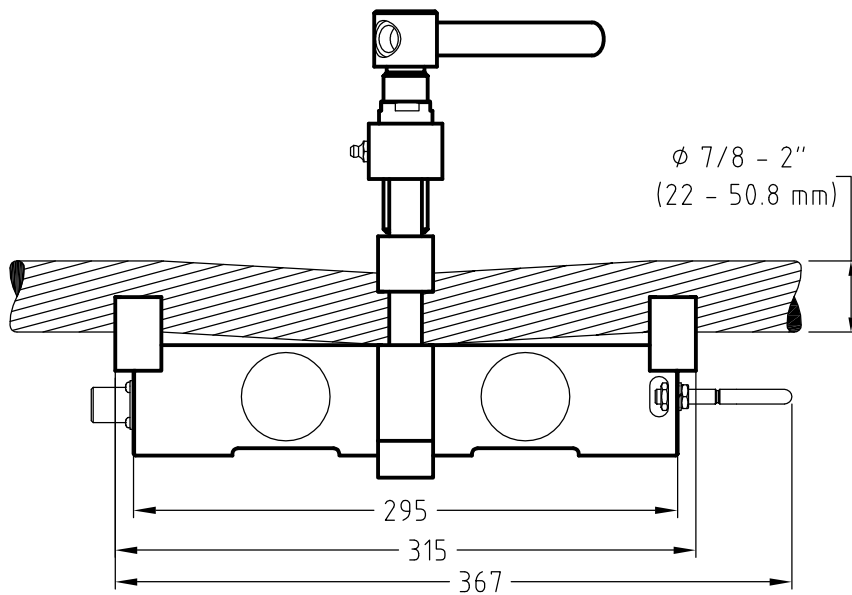
# LOAD CELL

model 5560S stainless steel  
 model 5565S alloy steel

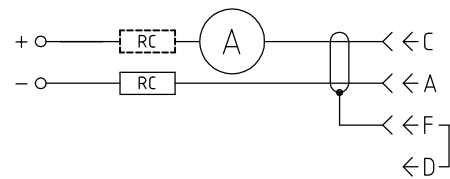


## TENSIOMETER ON CABLE

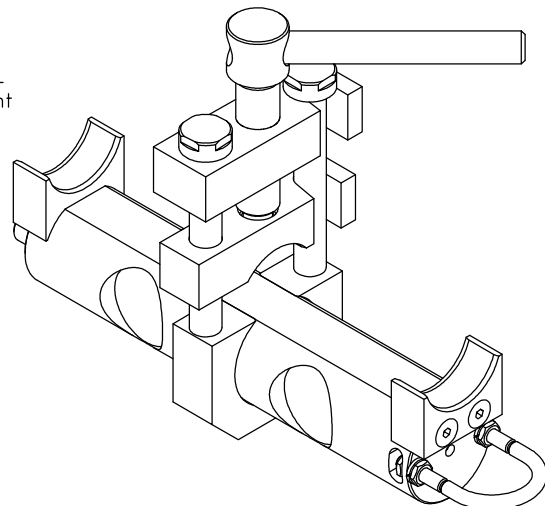
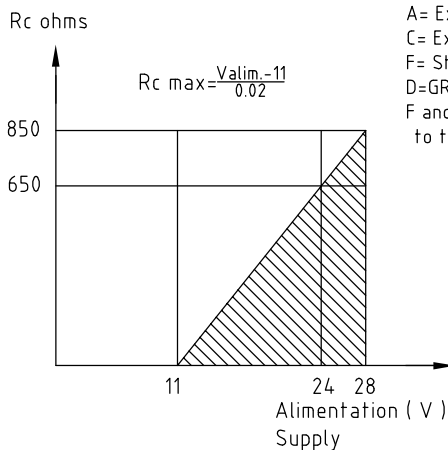
Range : 30t. For cables 7/8 to 2" (22 to 50.8 mm) IP67  
 Male connector on sensor ( female and cable not supplied )  
 TVPS00RK-11-98P or equivalent ( female TV06RW-11-98S )  
 Weight : 10.4 kg



Rc sur fil + ou -  
 ( Rc on wire + or - )



Connector BENDIX / AMPHENOL  
 TVPS00RK-11-98P or equivalent  
 A= Exc -  
 C= Exc +  
 F= Shielding  
 D=GROUND  
 F and D connected  
 to transducer



Rev.:16/9/2003