

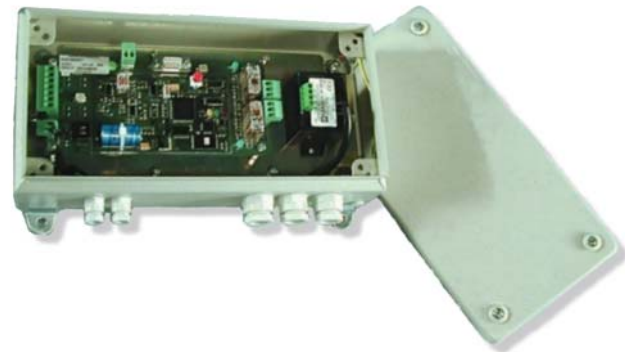
COACH DATA

DATA RECORDING AND MANAGEMENT - SYSTEM FOR EOT CRANES AND HOISTING DEVICES

The COACH DATA enables to transform a load limiter into a "data logger system for cranes".

To do it, the COACH DATA records:

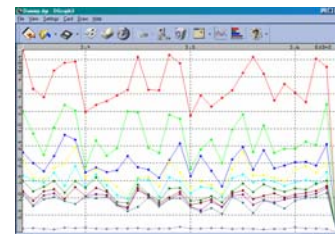
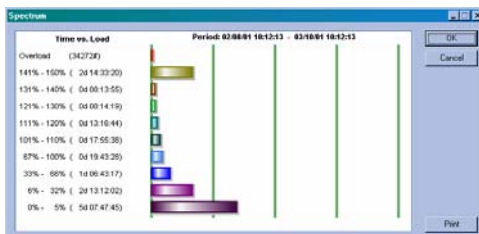
- Number and time of overload conditions;
- Number and duration of hoisting, lowering, traversing and travelling;
- Number and duration of inchings of hoisting, lowering, traversing and travelling;
- Total hour counter;
- Decrease of lifetime (SWP);
- Spectrum of loads.



The COACH DATA can be delivered in a House IP65. No permanent link to computer is necessary because the DATACARD is equipped with a RAM memory and lithium battery which ensure the data to be retained up to 365 days.

INDISOFT

This powerful software (Windows version) enables to plan maintenance, to detect unproductive hours and to reorganise production methods. The program downloads the data from the COACH DATA to the PC and transforms it into graphics that you can read easily.

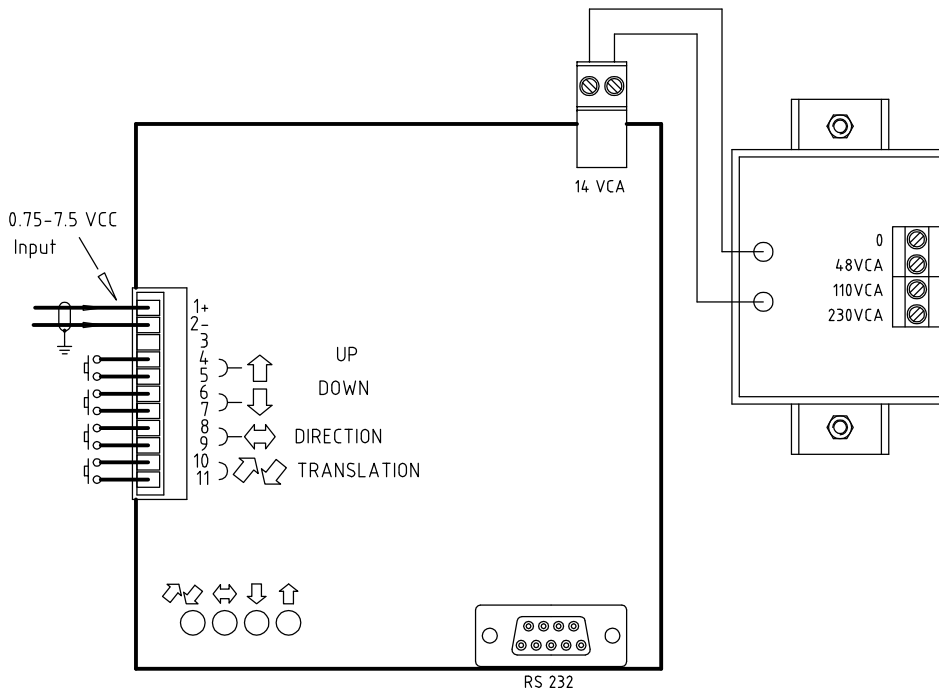


DATA CARD

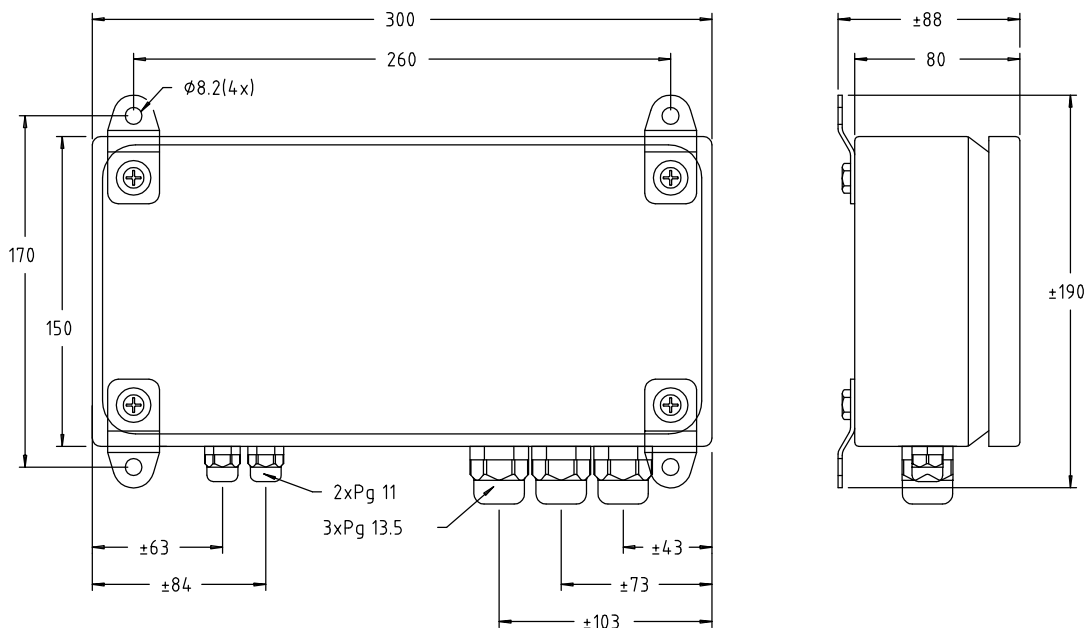
model COACH DATA



POWER SUPPLY : 48 - 110 - 230 VAC



Options :
IP 65 = COACH DATA in IP 65 housing



Rev.28/11/2002