

DISP-P175x

LARGE DISPLAYS

Large displays for your crane load indication!

The DISP-P175x, series of large displays ruggedly engineered against moisture, dust and vibration protection far superior to most competing products. And this has been achieved with the remarkable bonus that the visual quality and styling of the displays is also ahead of the field.

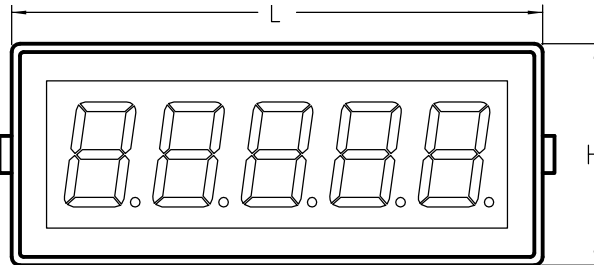
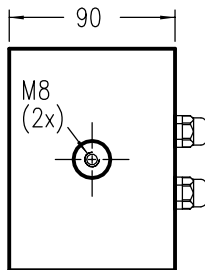


DISP-P1755

Signal inputs	4..20 mA, 0..10 mA, 0..20 mA 0..10 VDC, 1..5 VDC
Number of Digits	5
Resolution	1 part in 20.000
Accuracy	0,02% of range
Temperature range	0 to 50°C (operating)
Power supply	95 to 265 VAC ; Option: 24 VDC
Signal output	RS485 at 300, 1200, 2400, 9600 bauds.
Scaling	Zero and span fully scaleable remotely
Digit Heights	57 (2"), 102 (4"), 150 (6"), 203 (8"), or 280 (11") mm
Protection	IP65

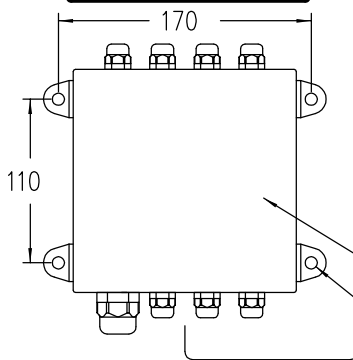
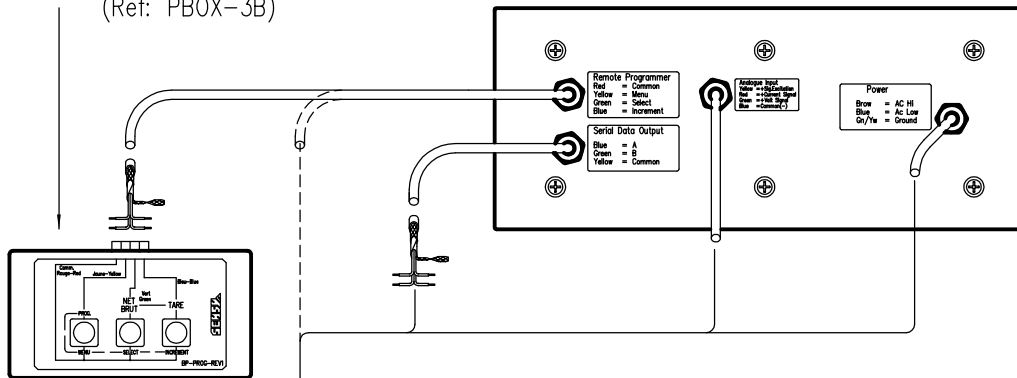
DISPLAY

model DISP P175x



OPTION 1 : REMOTE PROGRAMMER
(Ref: PBOX-3B)

Cables length : ± 2 m



MODEL	Digit size	L	H	Weight (kg)
P1752	57 mm -2"	288	120	2.5
P1754	102 mm-4"	480	168	4.5
P1756	144 mm-6"	624	192	5.5
P1758	200 mm-8"	824	248	7
P17511	280 mm-11"	1172	336	12

OPTION 2 : JUNCTION-BOX
(Ref: JBOX-P175)

ø8
(4x)

