

2000S

HERMETICALLY SEALED BENDING BEAM LOAD CELL

Load cell combining high accuracy and resistance in harsh environment.



Model 2000S - 50 kg



Features

- o Material: stainless steel
- o Protection class: IP67 (welded sealing)
- o Complies with OIML / R 60 up to 3000 d for scales in class III according to EN 45501
- o Standardised dimensions
- o Cable length: 3 m (other lengths available on request)
- o Whole range of mounting kits available

Most popular options



Ex i



IP68

Application(s)

SENSY's load cell 2000S is perfectly designed for the following applications:

- OIML certified and industrial scales,
- Packaging, batching and filling machines,
- Reactors, tanks, vessels or hopper weighing.

Capacities

2000S: 10 - (15) - 20 - (30) - 50 - (75) - 100 - (150) - 200 kg

Specifications	A3	0.03 %	C 3	
Accuracy class	0.03 %** F.S.*	0.03% F.S.*	3000 d OIML	-
Repeatability error	<± 0.015	<± 0.015	<± 0.01	% F.S.*
Creep error over 30 min.	<± 0.03	<± 0.025	<± 0.02	% F.S.*
Reference temperature	23	23	23	°C
Compensated temperature range	-10...+45	-10...+45	-10...+45	°C
Service temperature range	-25...+70	-25...+70	-25...+70	°C
Storage temperature range	-50...+85	-50...+85	-50...+85	°C
Temperature coefficient of the sensitivity	<± 0.05	<± 0.015	<± 0.009	% F.S.* / 10°C
Temperature coefficient of zero signal	<± 0.05	<± 0.023	<± 0.013	% F.S.* / 10°C
Zero balance	± 0.02	± 0.02	± 0.02	mV/V
Sensitivity tolerance	<± 0.2	<± 0.2	<± 0.1	%
Input resistance	350 ± 2	350 ± 2	350 ± 2	ohm(s)
Output resistance	350 ± 2	350 ± 2	350 ± 2	ohm(s)
Insulation resistance (50 V)	> 5000	> 5000	> 5000	Mohm(s)
Reference excitation voltage	10	10	10	VDC
Permissible nominal range of excitation voltage	3..12	3..12	3..12	VDC
Safe load limit	150	150	150	% F.S.*
Breaking load	>300	>300	>300	% F.S.*
Permissible dynamic loading	60	60	60	% F.S.*
Static lateral force limit	100	100	100	% F.S.*

* F.S. : Full Scale.

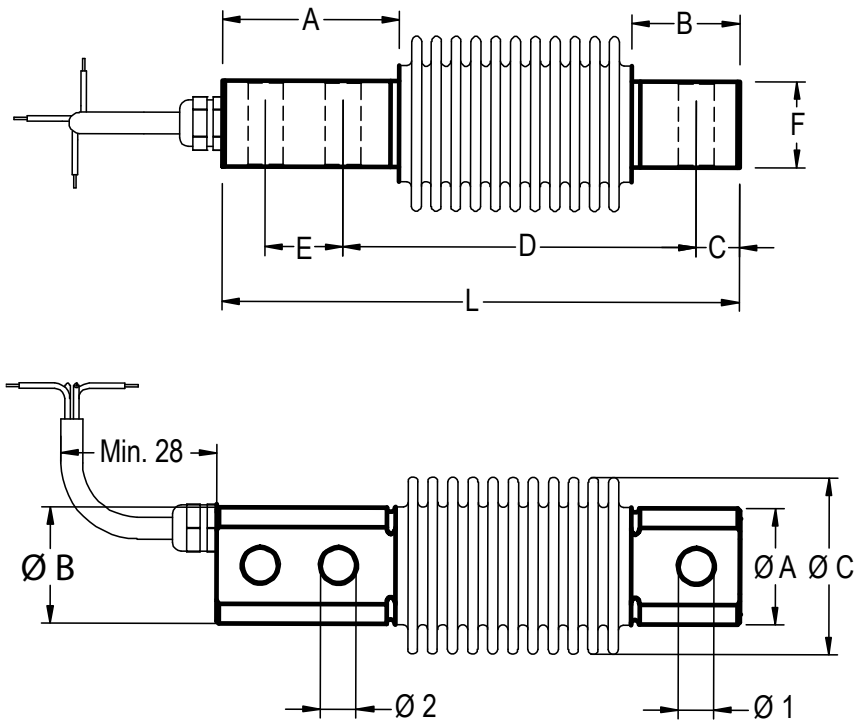
** : except thermal drifts.

Specifications subject to change without notice.



ISO 9001 certified

2000S > STANDARD DIMENSIONS

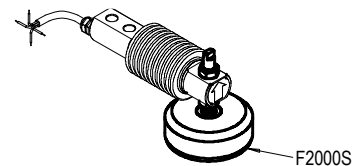
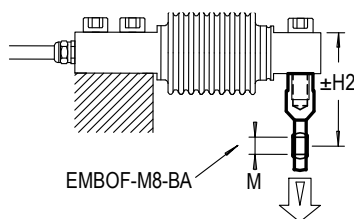
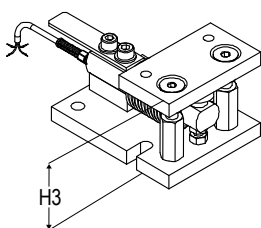


Ref. Item	Capacities	A	B	C	D	E	F	L	Ø1	Ø2	ØA	ØB	ØC	H1	H2	H3	ØM	Max. Deflexion (mm)	Weight (kg)
2000S-A	10 - 200 kg	40	20	10	82	18	20	120	8.2	8.2	± 26.7	32 max	45 max	78	56	80	8	0.2 to 0.3	0.48

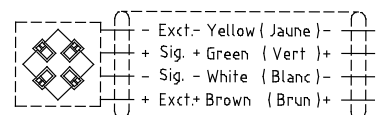
→ Other capacities and dimensions available on request

Dimensions in mm

Accessories

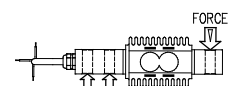
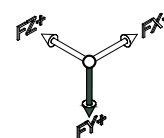
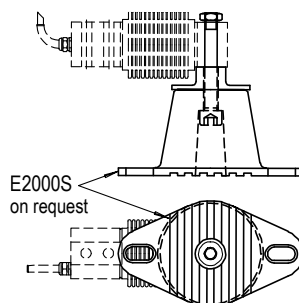
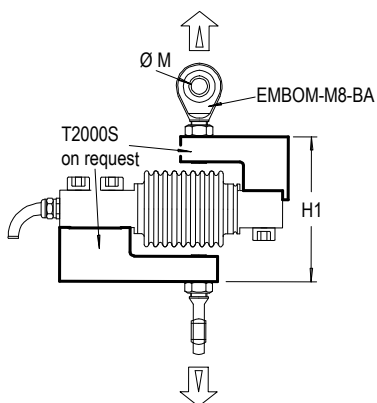


Wiring

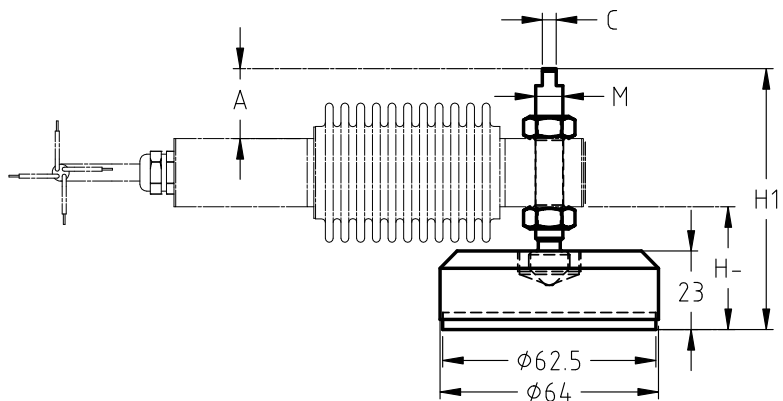
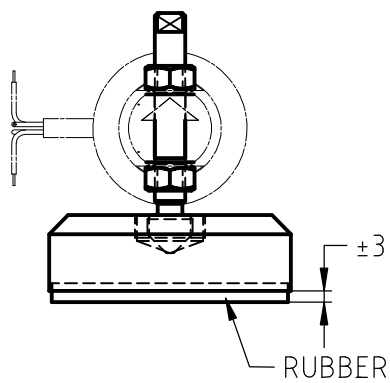
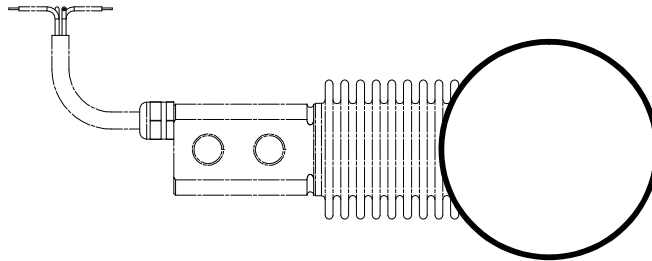
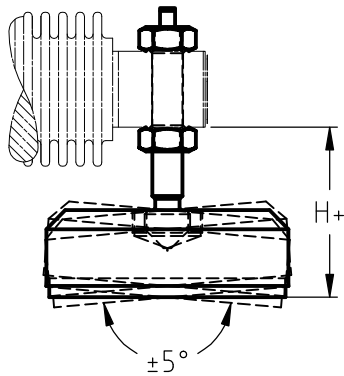


Standard : Cable screen not connected to transducer
 Faradisation non connectée au capteur

Load direction



F2000S > STANDARD DIMENSIONS



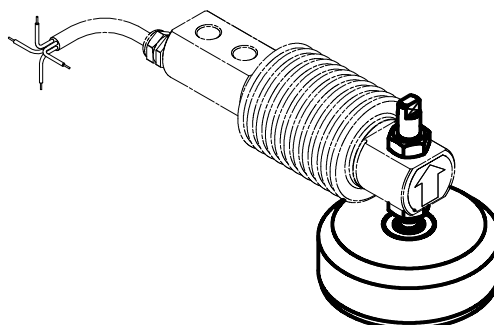
Ref. Item*	Capacities	A	C	M	H-	H+	H1
F2000S-A	10 - 200 kg	20.5	4	8	36	45	76.5

* Material: stainless steel

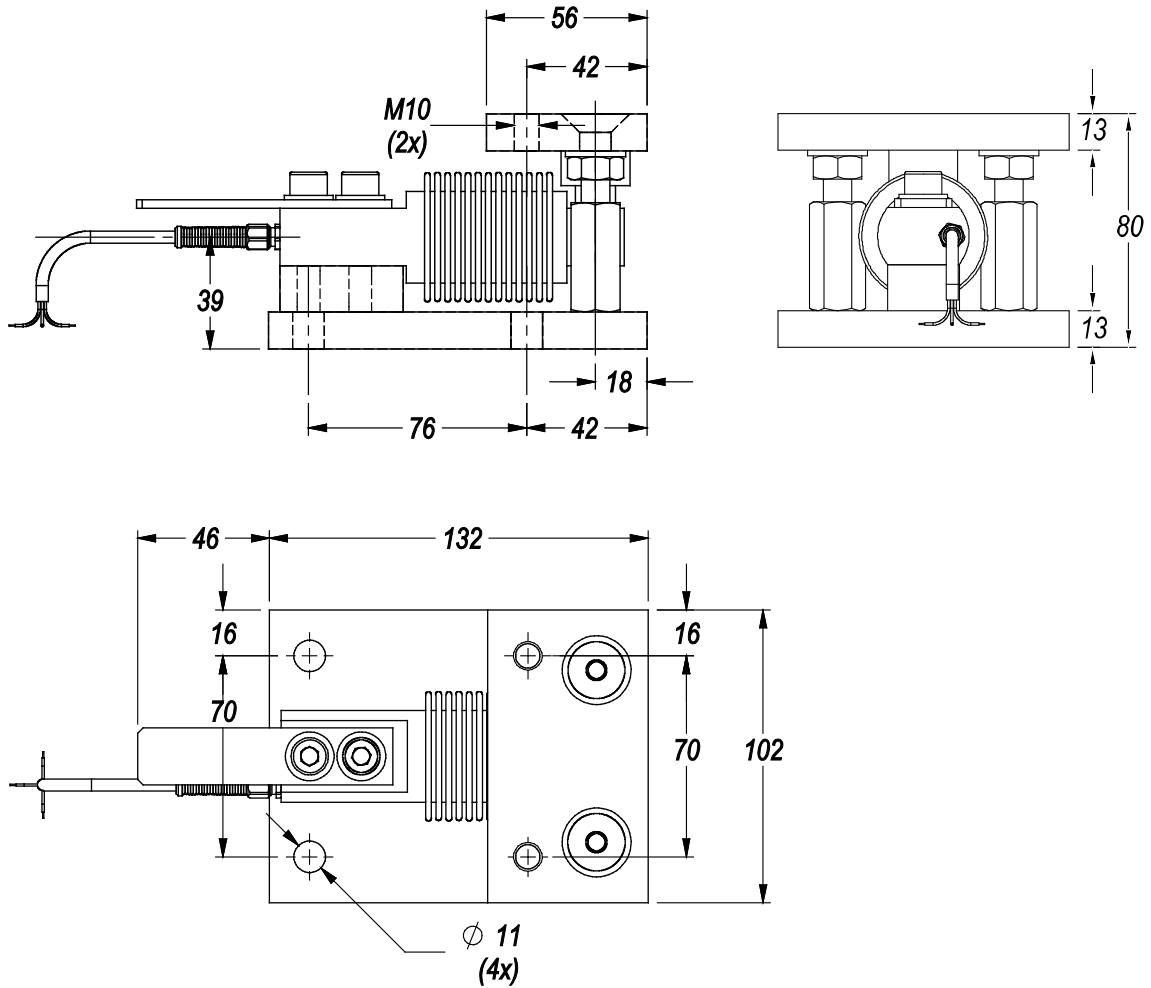
→ Other capacities and dimensions available on request

Dimensions in mm

Other view



I2000S-I2005S > STANDARD DIMENSIONS



Ref. Item*	Capacities
I200xS-A	10 - 200 kg
* x=Material: I2000S - stainless steel; I2005S - nickel-plated steel	

→ Other capacities and dimensions available on request

Dimensions in mm

Other views

