

Custom-made load pins designed to be installed at the same place of a common axle without change to the existing mechanical environment. Economical version of model



Model 5600 - 0.5 t



Features

- o Complete range of "CE" certified electronics, load limiters and displays available for hoisting applications and lifts
- o Useful diameter smaller than or equal to 39 mm
- o With axial cable gland
- o Sturdy design
- o Material: stainless steel
- o Protection class: IP65
- o Cable length: 6 m (other lengths available on request)

Most popular options



Ex i



IP67
MARINE

Application(s) SENSY's load cells 5600 are perfectly designed for the following applications:

- SL-FORCE: Force measurement on cylinders / industrial weighing.
- SL-HOIST: Hoisting devices and crane security in combination with load limitation electronics.

Capacities

5600: 0.5 to 14 t

Specifications	SL - FORCE	SL - HOIST	
Combined error (non-linearity + hysteresis)	0.25 - 1**	0.5 - 2**	% F.S.*
Repeatability error	<± 0.25	<± 0.25	% F.S.*
Creep error over 30 min.	<± 0.3	<± 0.3	% F.S.*
Reference temperature	23	23	°C
Compensated temperature range	-10...+45	-10...+45	°C
Service temperature range	-30...+70	-30...+70	°C
Storage temperature range	-50...+85	-50...+85	°C
Temperature coefficient of the sensitivity	<± 0.2	<± 0.2	% F.S.* / 10°C
Temperature coefficient of zero signal	<± 0.2	<± 0.2	% F.S.* / 10°C
Zero balance	± 0.02	± 0.02	mV/V
Nominal sensitivity	± 1.5	± 1	mV/V
Sensitivity tolerance	< 0.5	< ± 0.5	%
Input resistance	350 ± 2	350 ± 2	ohm(s)
Output resistance	350 ± 2	350 ± 2	ohm(s)
Insulation resistance (50 V)	> 5000	> 5000	Mohm(s)
Reference excitation voltage	10	10	VDC
Permissible nominal range of excitation voltage	3...12	3...12	VDC
Safe load limit	150	200	% F.S.*
Breaking load	> 300	> 500	% F.S.*
Permissible dynamic loading	50	75	% F.S.*
Static lateral force limit	100	150	% F.S.*

* F.S.: Full Scale.

** Typical range of accuracy, depending on design and dimensions.

Specifications subject to change without notice.

5600 > TECHNICAL SPECIFICATIONS

Load pins range



5000 (1 to 2000 t)
CUSTOM-MADE LOAD PIN



5050 (1 to 2000 t)
SUBSEA LOAD PIN



5300 (0.5 to 125 t)
STANDARD LOAD PIN



5600 (0.5 to 14 t)
ECONOMICAL LOAD PIN

TOOLS

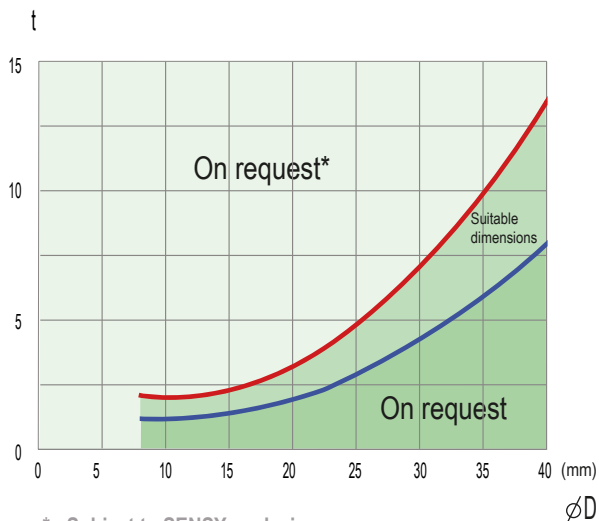
CONFIGURATOR

www.sensy.com/load-pins-configurator/5600

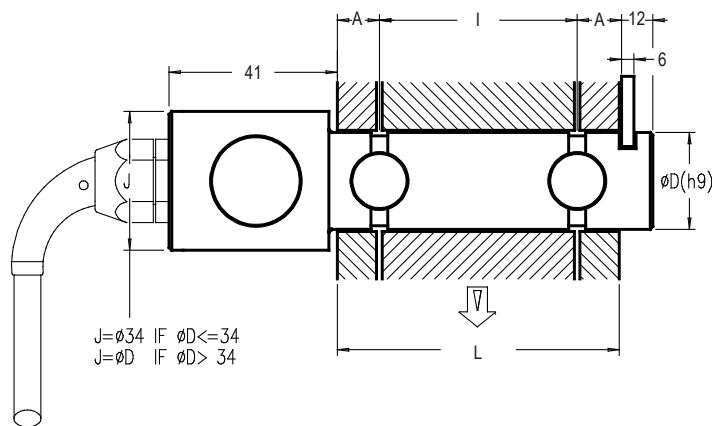
LOAD PIN DESIGN

www.sensy.com/load-pins-configurator/load-pin-design

Load-diameter relationship



* : Subject to SENSY analysis



CAPACITY:

DIAMETER ϕD :

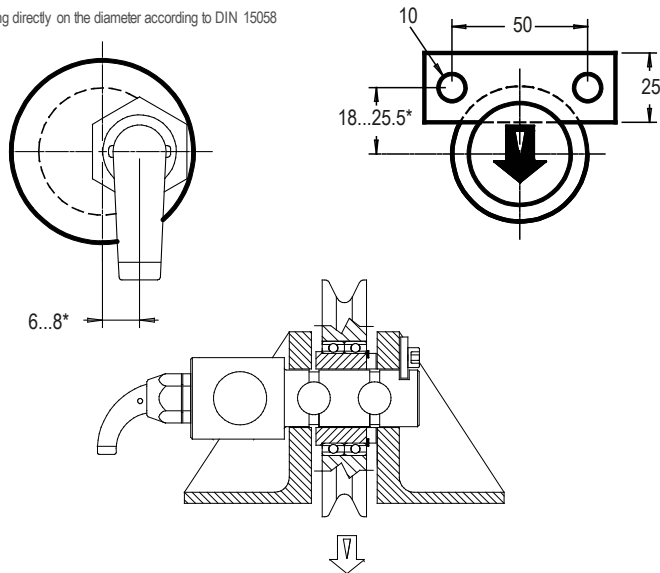
A:

I:

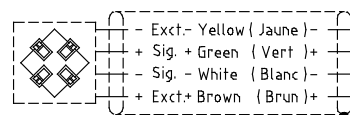
L:

Mechanical dimensions

*: Depending directly on the diameter according to DIN 15058



Wiring



Standard : Cable screen not connected to transducer
Faradisation non connectée au capteur

Load direction

